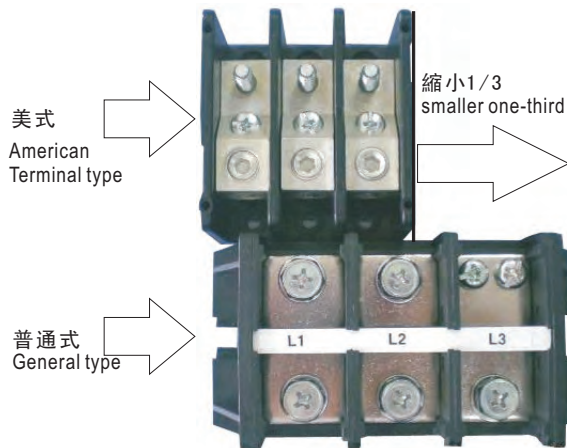
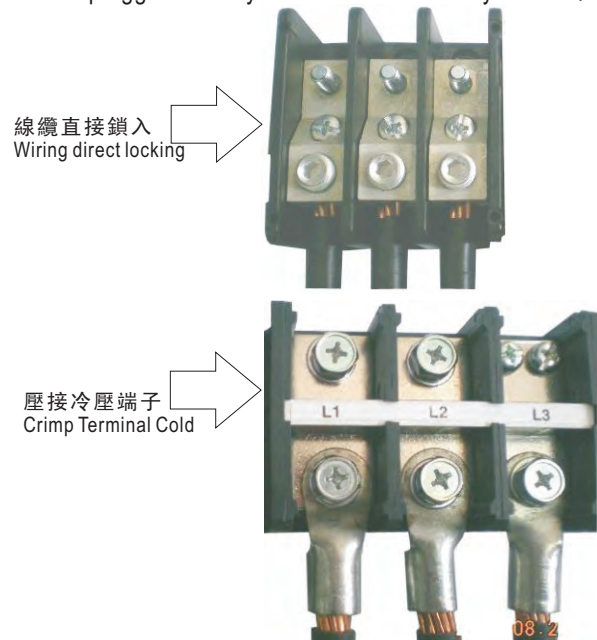


※美式端子台比普通型體積縮小1/3  
 ※American type Terminal block is smaller one-third than General style



※配線時不需要壓接冷壓端子直接插入鎖附即可，接線方便  
 ※Wiring does not need crimp Cold terminals, can be plugged directly into the lock with easy to wire .



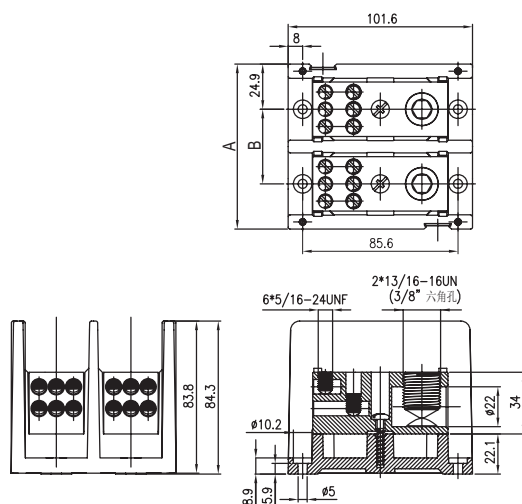
## 特長 Features

- 產品體積同比普通端子台小1/3左右。  
 Product size up small common terminal 1/3 .
- 配線時不需要壓接冷壓端子, 配線方便布線美觀。  
 Wiring access terminal does not need cooling, wiring for ease of layout aesthetics
- 配線螺釘的底部為特制的球形, 均為內六角細牙螺釘(除板式螺栓和M4細牙螺釘), 壓線時不僅不傷導線, 而且對導線具有足夠大的擠壓力, 接觸更可靠。  
 The bottom of line pressing screws is specially designed for spherical ,and are all Hex screws with fine tooth(except plate bolts and M4 Fine pitch screws), It not only do not hurt wires,but also have enough squeezing pressure to make it more reliable

## 仕樣 Specification

仕樣 Specification	型式 Product Type	ATA 115-1	ATA 115-2	ATA 115-3	ATB 175-1	ATB 175-2	ATB 175-3	ATH 255-1	ATH 255-2	ATH 255-3	ATH 255-4	ATH 335-1	ATH 335-2	ATH 335-3	ATH 335-4	ATC 380-1	ATC 380-2	ATC 380-3	ATC 380-4
定格電壓 Rating Voltage		AC600V																	
定格電流 Rating Current (A)		115	115	115	175	175	175	255	255	255	255	335	335	335	335	380	380	380	380
適合電線 Applicable Wire (AWG)		2-14	2-14	2-14	2/0-14	2/0-14	2/0-14	250MCM-14AWG	250MCM-14AWG	250MCM-14AWG	250MCM-14AWG	250MCM-6AWG	250MCM-6AWG	250MCM-6AWG	250MCM-6AWG	500MCM-4AWG	500MCM-4AWG	500MCM-4AWG	500MCM-4AWG
螺絲尺寸 Screw Size		7/16 M5	7/16 7/16	M5 M5	7/16 1/4	7/16 1/4	7/16 7/16	5/16 5/8	5/16 5/8	5/8 5/8	5/16 5/16	5/16 5/8	5/16 5/8	5/8 5/8	5/16 5/16	13/16 13/16	13/16 5/16	13/16 5/16	5/16 5/16
間距 Pitch (mm)		17.4	17.4	17.4	20.6	20.6	20.6	28.9	28.9	28.9	28.9	28.9	28.9	28.9	28.9	41.1	41.1	41.1	41.1
絕緣電阻 Insulation Resistance		DC500V/100MΩ																	
耐電壓 Withstand Voltage		AC2500V/1 Min																	
使用溫度 Ambient Temp		-20 ~ +60°C																	
保存溫度 Storage Temp		-20 ~ +70°C																	

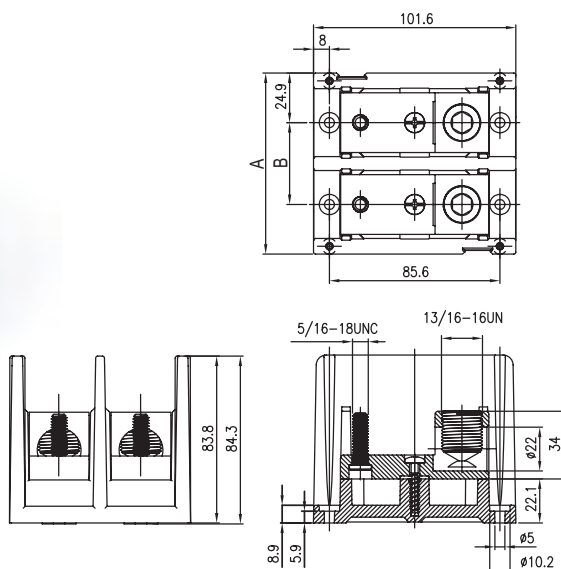
## ATC-380-2-□P



定格 Rating	AC600V 380A
適合電線 Applicable Wire	500MCM-4AWG
本体材質 Body Material	PF
連接方式 Connection	13/16 Screw-5/16 Screw

極數 P	1	2	3
全長 A	49.8	90.9	132
固定孔距 B	—	41.1	82.2

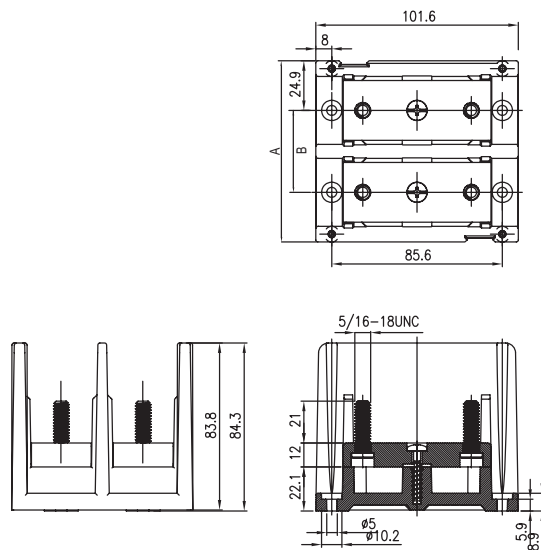
## ATC-380-3-□P



定格 Rating	AC600V 380A
適合電線 Applicable Wire	500MCM-4AWG
本体材質 Body Material	PF
連接方式 Connection	13/16 Stud-5/16 Stud

極數 P	1	2	3
全長 A	49.8	90.9	132
固定孔距 B	—	41.1	82.2

## ATC-380-4-□P



定格 Rating	AC600V 380A
適合電線 Applicable Wire	500MCM-4AWG
本体材質 Body Material	PF
連接方式 Connection	5/16 Stud-5/16 Stud

極數 P	1	2	3
全長 A	49.8	90.9	132
固定孔距 B	—	41.1	82.2